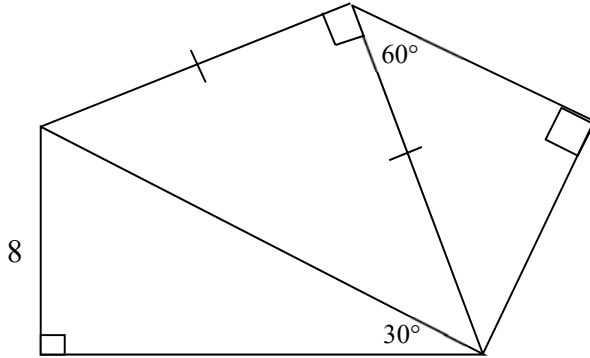
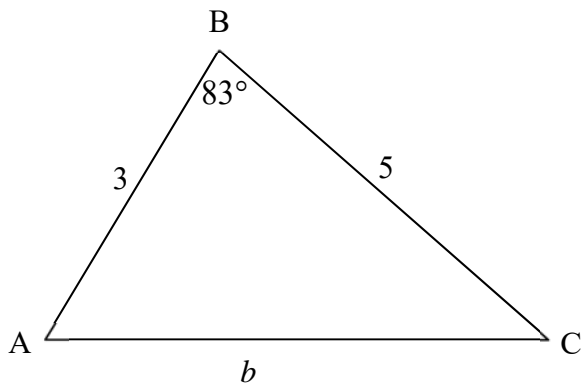


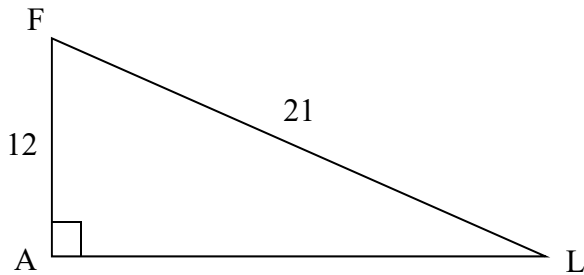
1. Find the **EXACT** values of all the sides in the figure below. Label the diagram with your answers.



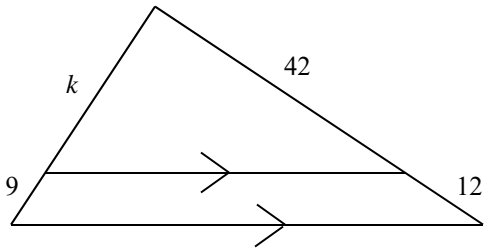
2. Find the missing sides and angles.



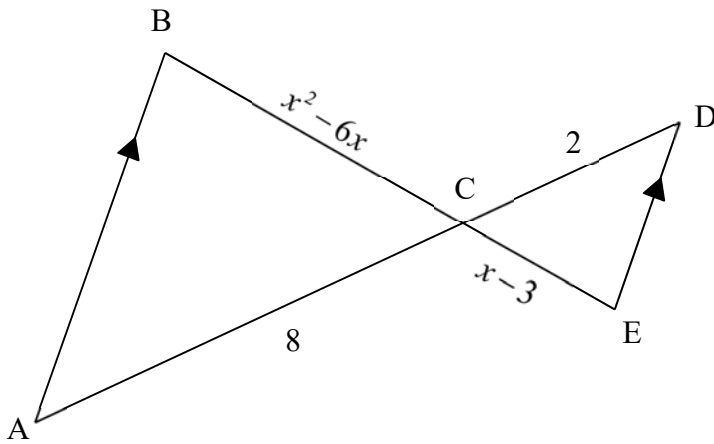
3. Solve the right triangle. Label the diagram with your answers.



4. Solve for  $k$ .



5. Use the figure below to answer the following:



a) Write a similarity statement. **Explain** why the triangles are similar.

b) Solve for  $x$ .

c) Find the lengths of  $BC$  and  $EC$ .